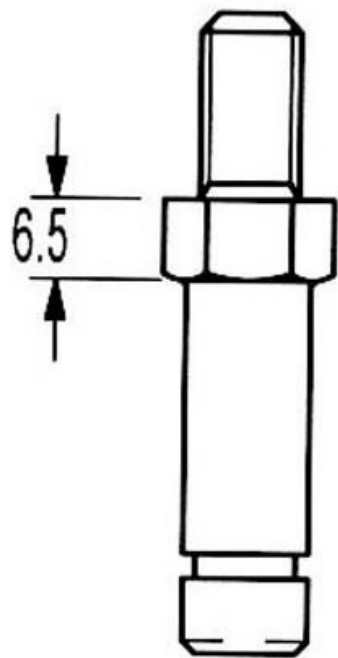


# FIXATIONS POUR ROULETTES Ø50/65/75

GUY RAYMOND

**GUY-RAYMOND**  
ENGINEERING COMPANY LIMITED

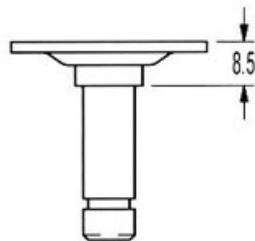
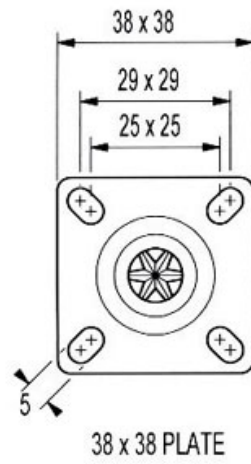


M8 x 15

# FIXATIONS POUR ROULETTES Ø50/65/75

GUY RAYMOND

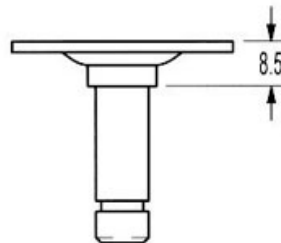
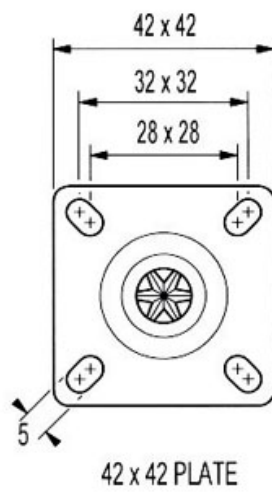
**GUY-RAYMOND**  
ENGINEERING COMPANY LIMITED



# FIXATIONS POUR ROULETTES Ø50/65/75

GUY RAYMOND

**GUY-RAYMOND**  
ENGINEERING COMPANY LIMITED



# FIXATIONS POUR ROULETTES Ø50/65/75

GUY RAYMOND

**GUY-RAYMOND**  
ENGINEERING COMPANY LIMITED

