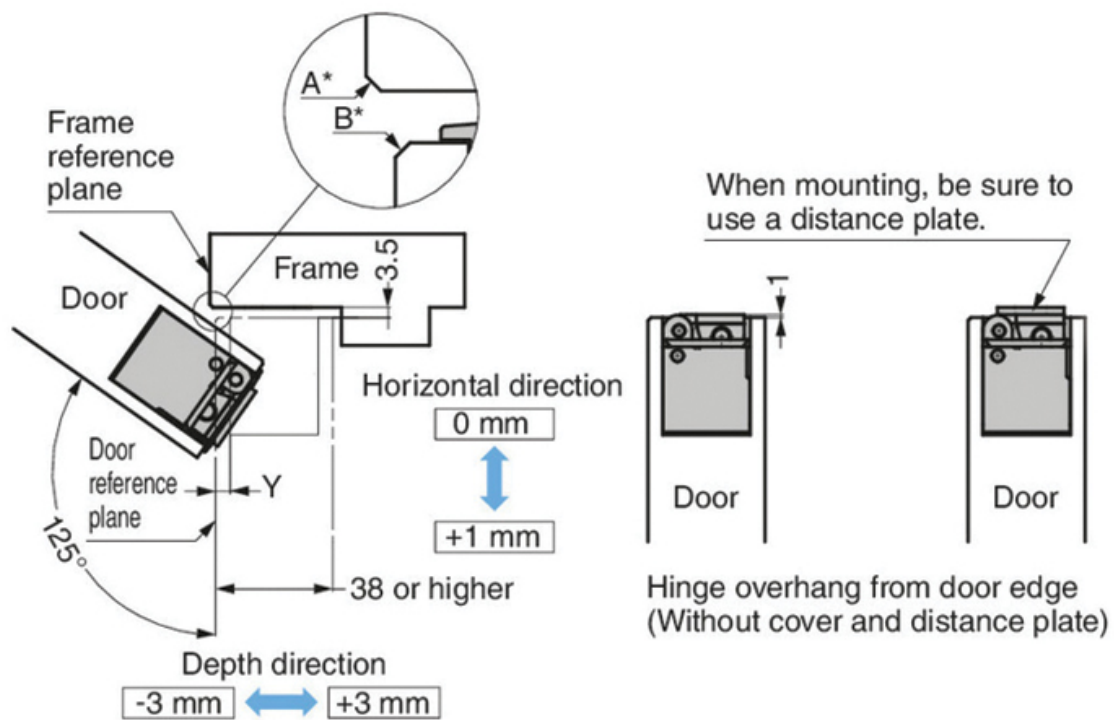


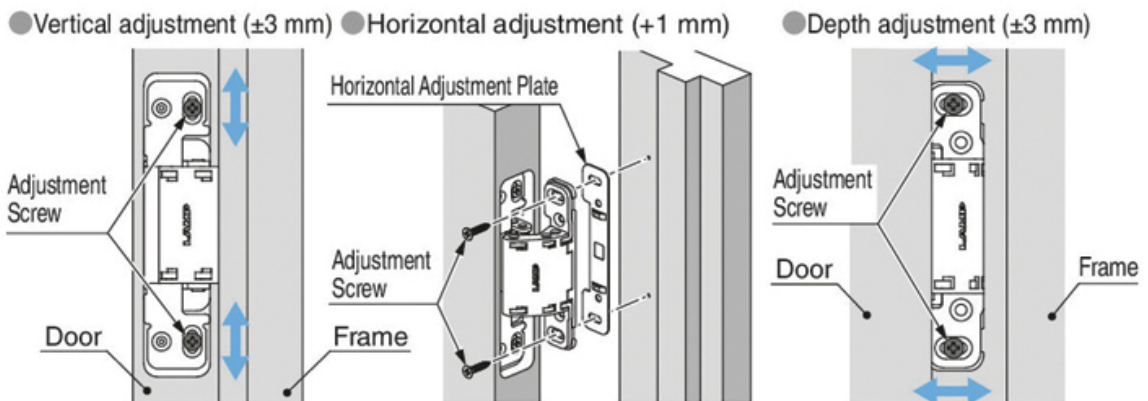
CHARNIÈRE INVISIBLE POUR PORTE 125°

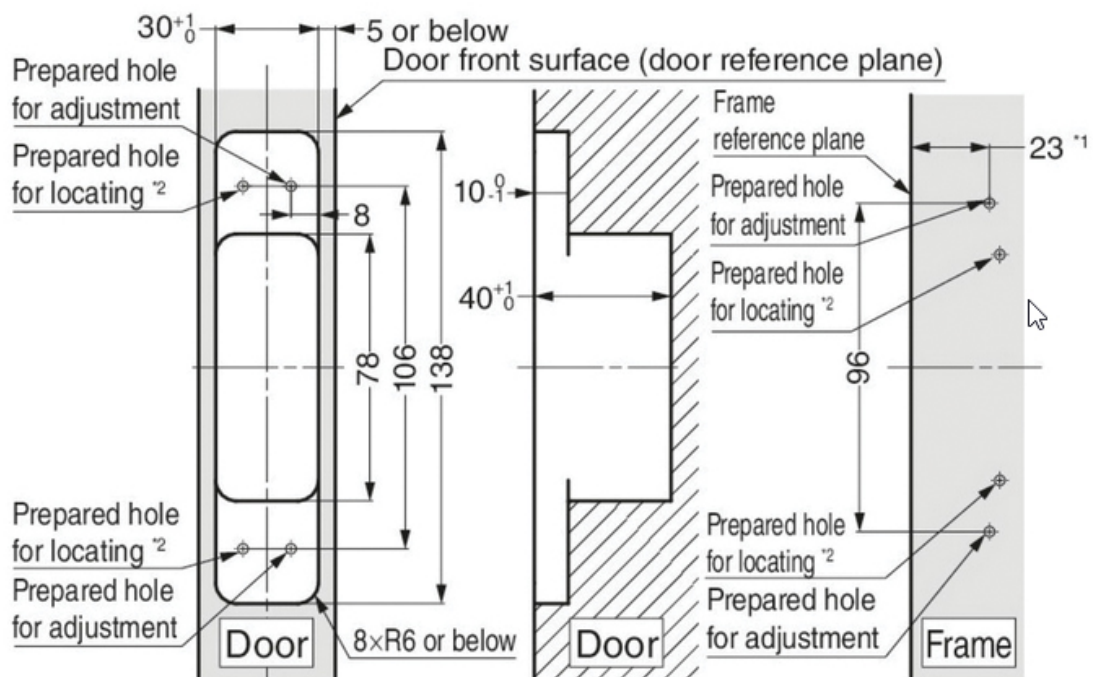
SUGATSUNE



CHARNIÈRE INVISIBLE POUR PORTE 125°

SUGATSUNE





^{*1} When door machining margin is 5 mm.

^{*2} The position of prepared hole for locating changes according to adjustment.